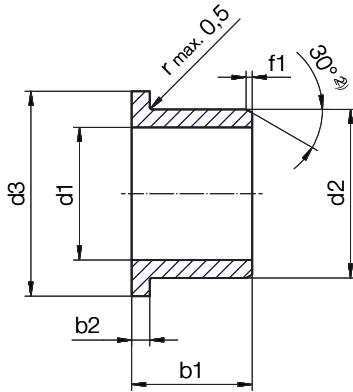


iglidur® Q2 | 產品範圍

法蘭軸承 (型號 F)



²⁾ 厚度 < 1 mm : 導角 = 20°

倒角和 d1 的關係

d1 [mm]:	Ø 1-6	Ø 6-12	Ø 12-30	Ø > 30
f [mm]:	0.3	0.5	0.8	1.2

尺寸 [mm]

d1	d1- 公差 ³⁾	d2	d3	b1	b2	產品型號
			d13	h13	-0.14	
5.0		7.0	11.0	5.0	1.0	Q2FM-0507-05
6.0	+0.020	8.0	12.0	4.0	1.0	Q2FM-0608-04
6.0	+0.068	8.0	12.0	6.0	1.0	Q2FM-0608-06
6.0		8.0	12.0	8.0	1.0	Q2FM-0608-08
8.0		10.0	15.0	3.0	1.0	Q2FM-0810-03
8.0		10.0	15.0	5.5	1.0	Q2FM-0810-05
8.0		10.0	15.0	7.5	1.0	Q2FM-0810-07
8.0		10.0	15.0	9.5	1.0	Q2FM-0810-09
8.0	+0.025	10.0	15.0	10.0	1.0	Q2FM-0810-10
10.0	+0.083	12.0	18.0	7.0	1.0	Q2FM-1012-07
10.0		12.0	18.0	9.0	1.0	Q2FM-1012-09
10.0		12.0	18.0	10.0	1.0	Q2FM-1012-10
10.0		12.0	18.0	12.0	1.0	Q2FM-1012-12
10.0		12.0	18.0	17.0	1.0	Q2FM-1012-17
12.0		14.0	20.0	7.0	1.0	Q2FM-1214-07
12.0		14.0	20.0	9.0	1.0	Q2FM-1214-09
12.0		14.0	20.0	12.0	1.0	Q2FM-1214-12
12.0		14.0	20.0	17.0	1.0	Q2FM-1214-17
14.0		16.0	22.0	5.0	1.0	Q2FM-1416-05
14.0		16.0	22.0	12.0	1.0	Q2FM-1416-12
14.0	+0.032	16.0	22.0	17.0	1.0	Q2FM-1416-17
15.0	+0.102	17.0	23.0	9.0	1.0	Q2FM-1517-09
15.0		17.0	23.0	12.0	1.0	Q2FM-1517-12
15.0		17.0	23.0	17.0	1.0	Q2FM-1517-17
16.0		18.0	24.0	12.0	1.0	Q2FM-1618-12
16.0		18.0	24.0	17.0	1.0	Q2FM-1618-17
18.0		20.0	26.0	12.0	1.0	Q2FM-1820-12

³⁾ 按壓組裝後

測試方法 ▶ 頁碼 57

產品型號

類型 尺寸 [mm]

Q2 F M_0608_04

iglidur® 材質	型號 F	公制	內徑 - Ø d1	外徑 - Ø d2	長度 b1
-------------	------	----	-----------	-----------	-------

尺寸符合 ISO 3547-1 標準
且提供特殊尺寸

d1	d1- 公差 ³⁾	d2	d3	b1	b2	產品型號
			d13	h13	-0.14	
18.0	+0.032	20.0	26.0	17.0	1.0	Q2FM-1820-17
18.0	+0.102	20.0	26.0	22.0	1.0	Q2FM-1820-22
20.0		23.0	30.0	12.0	1.5	Q2FM-2023-12
20.0		23.0	30.0	11.5	1.5	Q2FM-2023-11
20.0		23.0	30.0	16.5	1.5	Q2FM-2023-16
20.0		23.0	30.0	21.5	1.5	Q2FM-2023-21
25.0		28.0	35.0	11.5	1.5	Q2FM-2528-11
25.0	+0.040	28.0	35.0	16.5	1.5	Q2FM-2528-16
25.0	+0.124	28.0	35.0	21.5	1.5	Q2FM-2528-21
30.0		34.0	42.0	16.0	2.0	Q2FM-3034-16
30.0		34.0	42.0	26.0	2.0	Q2FM-3034-26
30.0		34.0	42.0	37.0	2.0	Q2FM-3034-37
30.0		34.0	42.0	40.0	2.0	Q2FM-3034-40
35.0		39.0	47.0	16.0	2.0	Q2FM-3539-16
35.0		39.0	47.0	26.0	2.0	Q2FM-3539-26
35.0		39.0	47.0	40.0	2.0	Q2FM-3539-40
40.0	+0.050	44.0	52.0	3<.0	2.0	Q2FM-4044-30
40.0	+0.150	44.0	52.0	40.0	2.0	Q2FM-4044-40
45.0		50.0	58.0	50.0	2.0	Q2FM-4550-50
50.0		55.0	63.0	10.0	2.0	Q2FM-5055-10
50.0		55.0	63.0	50.0	2.0	Q2FM-5055-50
60.0	+0.060	65.0	73.0	60.0	2.0	Q2FM-6065-60
80.0	+0.180	85.0	93.0	100.0	2.5	Q2FM-8085-100
100.0	+0.072	105.0	125.0	90.0	2.5	Q2FM-100105125-90
120.0	+0.212	125.0	145.0	90.0	2.5	Q2FM-120125145-90
	+0.085					
	+0.245					